

ZAXIS 50



Works Where Others Can't...



HYDRAULIC EXCAVATOR

Engine Power : 36 PS @ 2100 rpm

Operating Weight : 4810 kg

Bucket Capacity

for GP Application : 0.18 m³

for HD Application : 0.16 m³

SPECIFICATIONS

ENGINE

Model.....Kubota V2203
 Type.....Water-cooled, 4 cycle, 4 cylinder swirl chamber type diesel engine
 Rated flywheel power.....36 PS @ 2100 rpm
 Maximum torque.....125.5 Nm (12.8 kgf/m) @ 1700 min⁻¹ (rpm)
 Piston displacement.....2.179 l
 Bore and stroke.....87 mm X 92.4 mm
 Battery.....1 X 12 V, 52 Ah

HYDRAULIC SYSTEM

The Optimum Hydraulic System (OHS) uses three pumps for job efficiency and smooth combined operations.

Main pumps.....Two variable displacement axial piston pumps
 Max. oil flow.....2 X 42.0 l/min
 Third pump.....One gear pump
 Max. oil flow.....1 X 33.6 l/min
 Pilot pump.....One gear pump
 Max. oil flow.....1 X 9.5 l/min

HYDRAULIC CYLINDER

High-strength piston rods and tubes. Cylinder cushion mechanisms provided in boom raise, arm crowd and dump circuits to absorb shocks at stroke ends.

RELIEF VALVE SETTING

Implement circuit.....250 kgf/cm² (24.5 MPa)
 Swing circuit.....180 kgf/cm² (17.6 MPa)
 Travel circuit.....250 kgf/cm² (24.5 MPa)
 Pilot circuit.....40 kgf/cm² (3.9 MPa)

UNDERCARRIAGE

TRACKS

Tractor-type undercarriage. Welded track frame using carefully selected materials. Side frame welded to track frame.

NUMBERS OF ROLLERS ON EACH SIDE

Upper roller.....1
 Lower rollers.....4

TRACTION DEVICE

Each track driven by a high-torque, 2-speed axial piston motor through planetary reduction gear, allowing counter-rotation of the tracks.

Travel speeds.....High : 0-4.1 km/h
 Low : 0-2.3 km/h
 Gradeability.....30^o (58% continuous)

SWING MECHANISM

High-torque, axial piston motor with planetary reduction gear. Swing circle is single-row, shear-type ball bearing with induction hardened internal gear. Internal gear and pinion are immersed in lubricant. Swing parking brake is spring-set/hydraulic-released disc type. Seing shockless valve built in swing motor absorbs shocks when stopping swing, ensuring smooth stops.

Swing speed.....9.3 rpm

CONTROLS

Hydraulic pilot control levers for all operations.

REFILL CAPACITIES

Fuel tank.....55 ltr
 Engine coolant.....5.3 ltr
 Engine oil.....9 ltr
 Travel final device (each side).....0.5 ltr
 Hydraulic tank.....50 ltr
 Hydraulic system.....84 ltr

The Specifications are subject to change without prior notice. The Machine depicted may vary from the actual Machine Please contact our nearest office for latest specifications. Accessories shown here are not part of the standard equipment Performance of the machine may vary with site and operating conditions encountered

Tata Hitachi Construction Machinery Company Limited

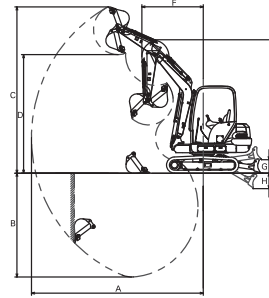
Registered Office : Jubilee Building 45 Museum Road Bangalore 560 025 India
 Telephone: +91 80 66953301 02 03 04 05 Fax: +91 80 66953309 25325792

Toll Free: 1800 3456 500



WORKING RANGES

Note : The illustration shows the canopy version equipped with 2800 m boom, 1500 mm arm and 400 mm metallic track shoes.



		Unit : mm
Boom		2880
Arm		1500
A	Maximum digging reach	5920
B	Maximum digging depth	3570
C	Maximum cutting height	5820
D	Maximum dumping height	4150
E	Transport height	4440
F	Minimum swing radius	2040
G	Blade bottom highest position (above ground level)	430
H	Blade bottom lowest position (below ground level)	460

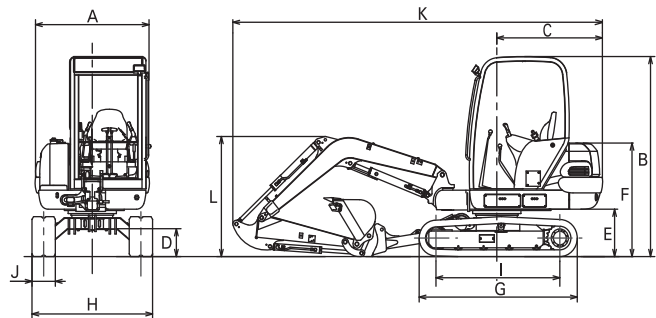
BUCKETS

Capacity m ³	Width		No. of teeth	Weight (kg)	Type
	Without side cutters (mm)	With side cutters (mm)			
0.16	632	675	4	136	HD
0.18	687	730	4	135	GP
0.20	742	785	4	143	LP
0.06	338	-	3	91	NB

DIGGING FORCES

Bucket digging force.....2400 kgf
 Arm crowd force.....3800 kgf

DIMENSIONS



Note : The illustration shows the canopy version equipped with 400 mm shoes.

		Unit : mm
A	Overall width	1690
B	Canopy height	2590
C	Rear-end swing radius	1450
D	Minimum ground clearance	335
E	Counterweight clearance	640
F	Engine cover height	1540
G	undercarriage length	2450
H	Undercarriage width	1850
I	Sprocket centre to idler centre	1960
J	Track shoe width	400
K	Maximum transport length	5590
L	Overall height of boom	1730

Authorised Dealer